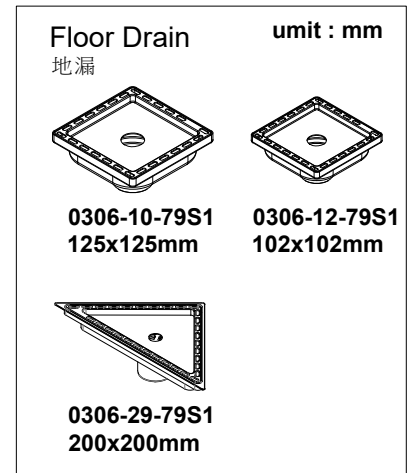
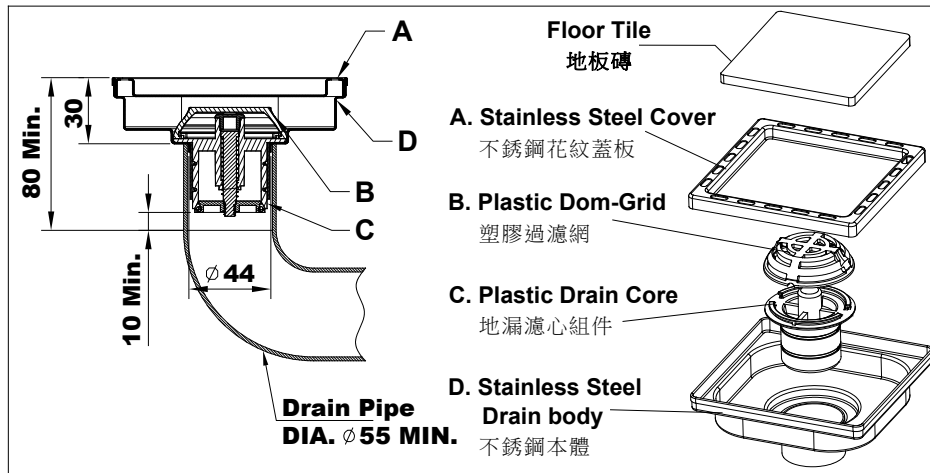


INSTALLATION INSTRUCTIONS

Multi-Function Floor Drain
地漏安裝說明

PATENT NUMBER:
專利號碼:
ZL201002585439.2



安裝方法 Installation

1. Remove the **Stainless Steel Cover, Plastic Dom-Grid, and Plastic Drain Core** from the **Stainless Steel Drain body**.
將蓋板、塑膠過濾網及濾心組件，從不銹鋼體本體取出。
2. Apply the cement or other sealant around the bottom and the flange of **Stainless Steel Drain body**. Place the **Stainless Steel Drain body** into the hole on the floor and level the **Stainless Steel Drain body**. Notice: The drain surface should be lower than the floor.
將不銹鋼本體的下緣塗上水泥或適量的密封劑。將不銹鋼本體置入挖好的地漏坑內，排水口與下水道口對中，壓緊並抹平水泥。
注意：平面應稍低於地面少許。
3. Insert the **Floor Tile** to the **Stainless Steel Cover**; apply the Silicon Sealant to fill the gap between the tile and the edge of the **Stainless Steel Cover**. Notice: Do not apply or leak the sealant to the drain hole; it might cause the obstruction of water flow.
將切割好的地板磚放入蓋板的地板磚放置區內，然後使用玻璃膠將地板磚的四周與蓋板黏在一起，並將間隙填平，清除多餘的膠。注意：膠不可進入流水孔，防止阻塞減少流量。
4. Please note that the tile should be at the same level with or higher than the **Stainless Steel Cover** after step 3 to preventing water clogging.
地板磚與蓋板黏在一起時，注意地板磚正面要與蓋板平面平齊或高於蓋板平面，以防止積水。
5. Replace **Plastic Drain Core, Plastic Dom-Grid** and **Stainless Steel cover** into **Stainless Steel Drain Body**.
將蓋板、過濾網及濾心組件放入不銹鋼體本體內。
6. Remove any excess cement or sealant.
請將地板多餘的水泥或密封劑清除。

安裝注意事項 Installation Attention

1. Inquire with an agent if there is any install question.
若安裝本產品有任何問題，請向專業人員詢問。
2. Make sure there is at least 10 mm working space from the bottom of **Plastic Drain Core** to prevent inactive drain function. (Please see Fig.1)
確認地漏濾心組件底部至彎頭底部至少有10mm空間。(請參照圖示1)

維護方法 Maintenance

Maintenance 1: To clean the grid : please take out the plastic grid and put it back after it is cleaned.

當太多雜物阻塞過濾網時，可按步驟1，取出部件清理，清潔後。按步驟3將各部件安裝好，重新使用。

Maintenance 2: To clean the core: please take out the plastic grid and then pull out the core. After clean it, put the core and the plastic back.

當自封蓋板結滿水垢影響密封時，可按步驟1，取出蓋板和塑膠過濾網後，將地漏濾心組件從不銹鋼本體鉤出清潔後，安裝好重新使用。

產品特點 Product Characters

1. Noise reduced , Qirtight & Beetle stopped , Multi - Function Check - sealing design.
降低排水噪音，防下水道臭氣和阻止蟲類通行，多功能通止密封設計。
2. Made of SUS 304 Stainless Steel and Plastic for long operating life.
使用 SUS 304 不銹鋼和塑膠材料製造，可供長久使用。