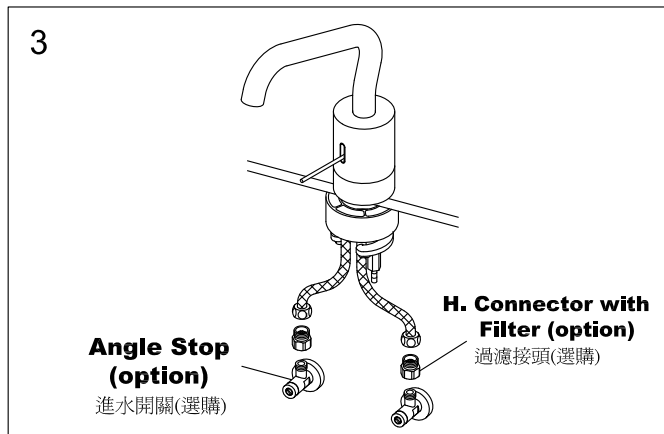
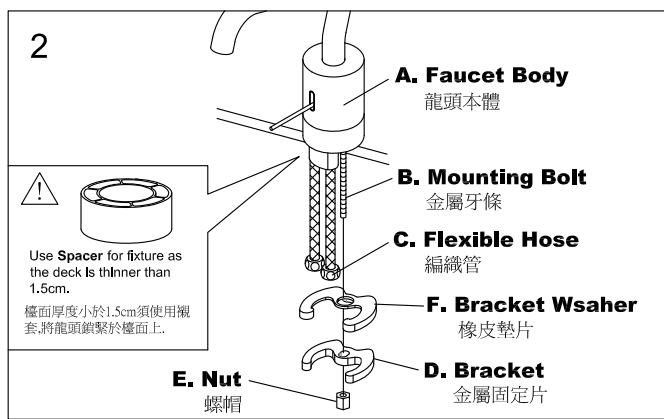
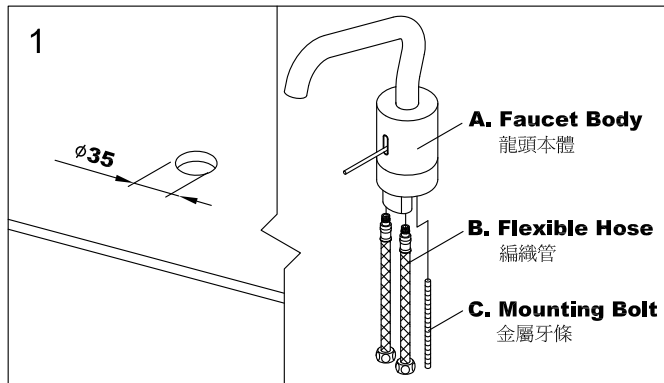


# INSTALLATION INSTRUCTIONS

## SINGLE-HANDLE LAVATORY FAUCET

### 檯面龍頭安裝說明

PATENT NUMBER:  
專利號碼:  
ZL 2010 3 0221380.4D  
001936303-0004  
D137661



### CAUTION :Prevent The Risk Of Product Damage.

注意：為增加產品使用壽命，請依說明清潔供水管路。

a./ Turn the angle stops (water suppliers) on and run for 1 minute before connect supply hose (flexible hose) to faucet body. or b./

安裝編織管之前，先把供水開關全開排水一分鐘。或 b./

b./ Connect and tighten the faucet and angle stops with supply hose (flexible hose) to finish installation, then remove the aerator, fully turn on the hot and cold water valves on faucet and run for 1 minute, then turn off the water and reinstall the aerator.

把龍頭、供水開關及編織管接好並鎖緊之後，拆下起泡器，把熱水及冷水全部轉開一分鐘，然後把水關掉再把起泡器裝回去。

⚠ Use Spacer for fixture as the deck is thinner than 1.5cm.  
檯面厚度小於1.5cm須使用襯套，將龍頭鎖緊於檯面上。

1. Screw **Flexible Hoses** and **Mounting Bolt** into **Faucet Body**.

將冷熱進水編織管和金屬牙條鎖緊固定於龍頭本體。

2. Insert **Flexible Hoses** and **Mounting Bolt** through basin hole in fixture. Place **Bracket (with Bracket Washer)** and **Nut** onto **Mounting Bolt**, position faucet on fixture, then tighten **Nut** securely.

再將冷熱進水編織管和金屬牙條穿過洗臉盆(檯)洞口後，準備安裝。從金屬牙條下方依序套入橡皮墊片、金屬固定片、和螺帽，確認龍頭方向位置後，鎖緊螺帽固定龍頭即可。

3. Install **Connector with Filter (option)** onto the outlet of **Angle Stop** first, then connect **Flexible Hoses** to **Connector with Filter(option)**.

連接過濾接頭(選擇性零件)到進水開關，再將冷熱進水編織管與過濾接頭連結，確認完成安裝程序。

## FIXING CONTENTS

### 組配件內容

