

Cubic

Soap Dispenser 6817-25-80CP

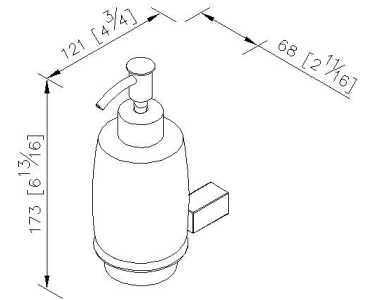
INTRODUCTION:

The main body had been designed with lovable elongate square shape, it demonstrate the neat esthetic sensibilities.



DESCRIPTION:

- 1.Frosted glass soap dispenser
- 2.Brass of sand-casting body meets JIS 3604 standard
- 3.Premium metal construction for durability
- 4.Justime finishes resist corrosion and tarnish
- 5.Finish meets the standard of ASTM-SC2
- 6.Correctly installed product's loading is 2 kg f
- 7.Capacity: 240ml
- 8.Coordinates with other products in Cubic Collection



unit:mm[inch]

Certificaion:

Fixing Kits:

- 1.SUS 304 Stainless Steel Screws
- Hex Key 1/8" *1
Plastic Anchors *1
Material of Wall Mount Bracket: Copper JIS3604 *1

AWARD: