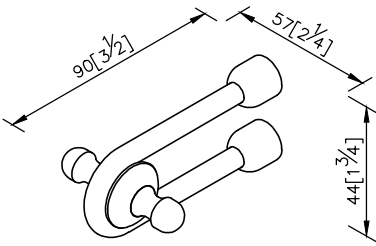
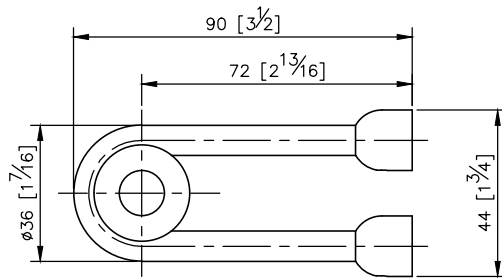
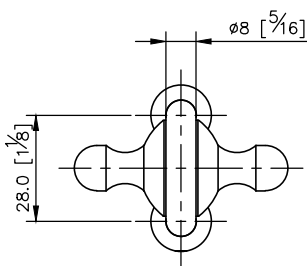
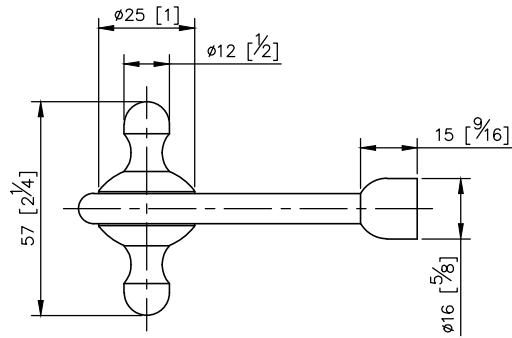


Robe Hook
6861-50-80CP



1. Brass meets JIS 3604 standard.
2. Premium metal construction for durability.
3. Justime finishes resist corrosion and tarnish.
4. Finish meets the standard of ASTM-SC2.
5. Correctly installed product's loading is 5 kgf.
6. Coordinates with other products in 6861 collection.

unit: mm[inch]



Mounting Template Specification

