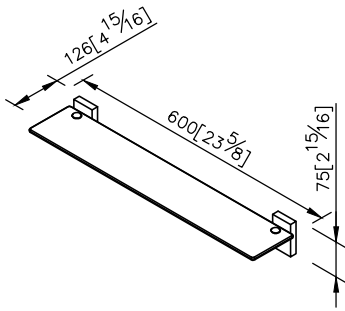


Shelf

6893-70-80SS



1. Brass forging faceplates meet JIS 3771 standard.
2. Brass brackets meet JIS 3604 standard.
3. Frosted tempered glass shelf size 600*110*6mm.
4. Brushed Nickel with lacquer finish meets the standard of ASTM-SC2.
5. Vertical force could support a static load of 5 Kgf.
6. Coordinates with other products in 6893 collection.

unit: mm[inch]

