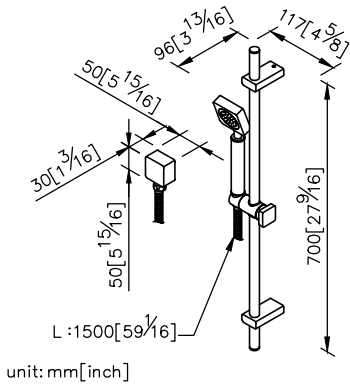


**Slide Bar Set**  
**6909-9T-82CP**



1. Horizontal swiveling and vertical moving holder of hand shower helps the adjustment of the position.
2. The spray head cover of hand shower can be removed easily by tool provided for cleaning.
3. Thread of wall outlet: G1/2.
4. Material of hand shower, holder and wall supply connector is brass with chrome-plated finish meets ASTM-SC2 standard.
5. Elastic shower hose can be extended from 1.5 meters to 2 meters and bear 15Kg/cm<sup>2</sup> water pressure.

