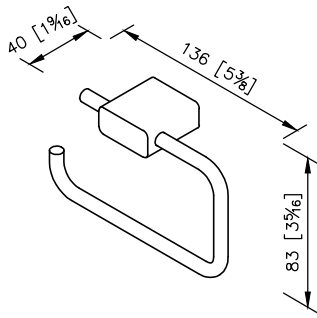
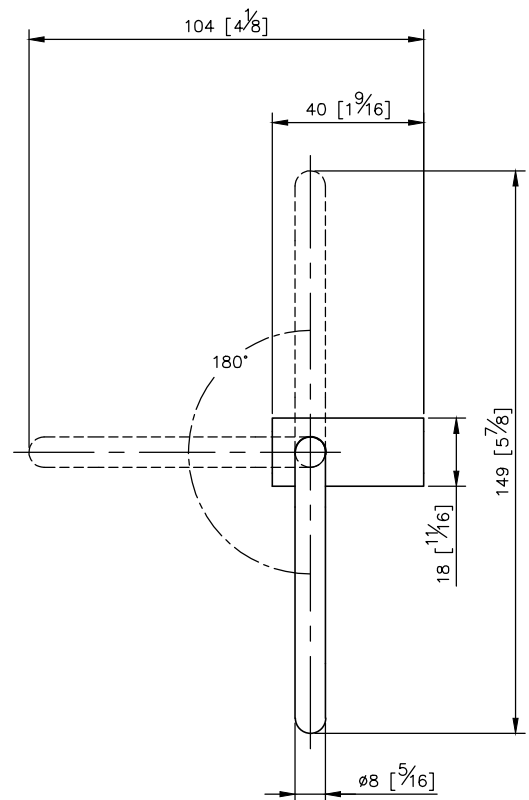
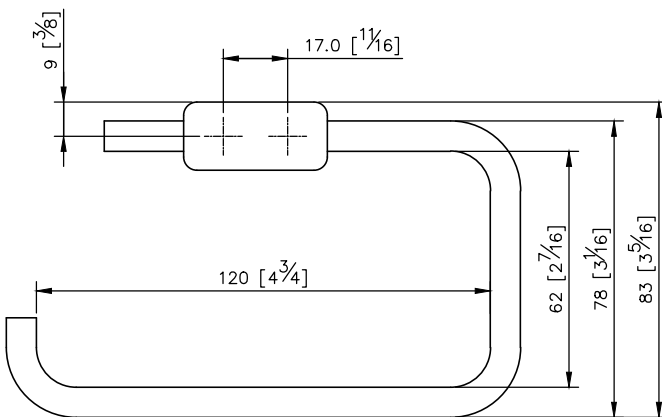
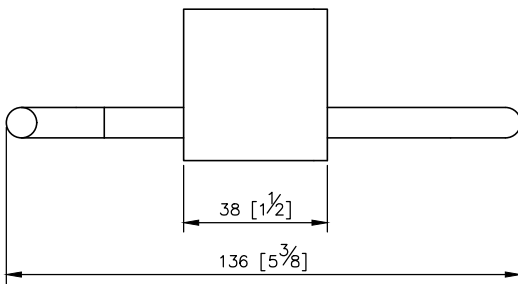


Mark 3 Toilet Tissue Holder
6919-40-80CP



unit: mm[inch]



Mounting Template Specification

