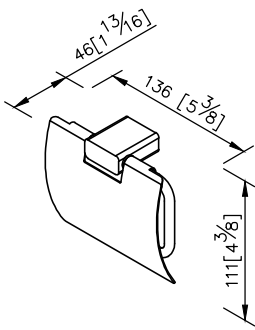
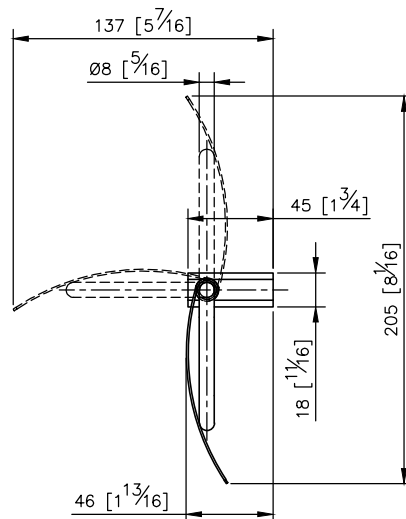
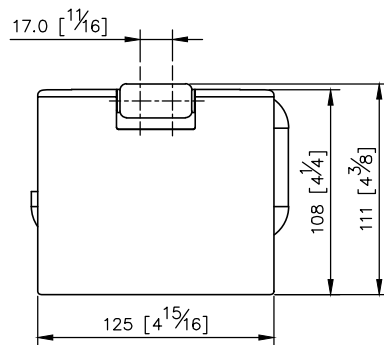
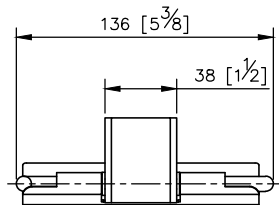


Mark III Toilet Tissue Holder With Lid
6919-41-80CP



unit: mm[inch]



Mounting Template Specification

