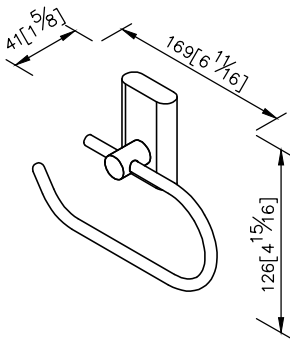
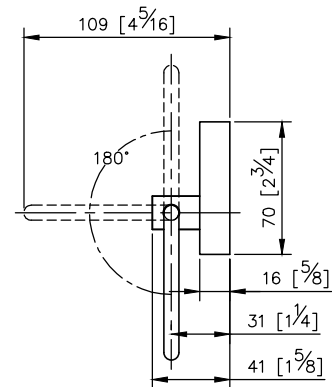
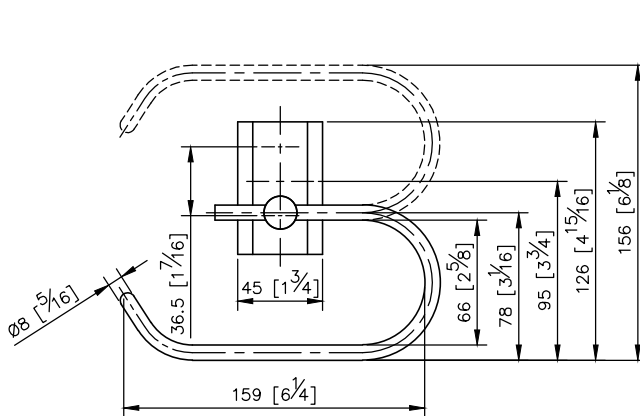
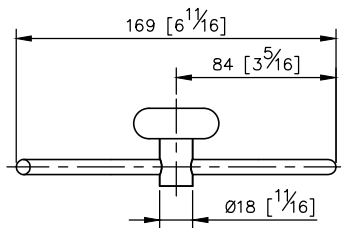


Toilet Tissue Holder 6920-40-80CP



unit: mm[inch]

- 1.Brass of forging faceplate meets JIS 3771 standard.
- 2.Brass of ring meets JIS 3604 standard.
- 3.Justime finishes resist corrosion and tarnish.
- 4.Chrome plated finish meets the standard of ASTM-SC2.
- 5.The pedestal could increase the stability for using.
- 6.Vertical force could support a static load of 5 Kgf.
- 7.The square pedestal of the bathroom accessories could increase the elegance for environment.
- 8.Coordinates with other products in 6920 collection.



Mounting Template Specification

