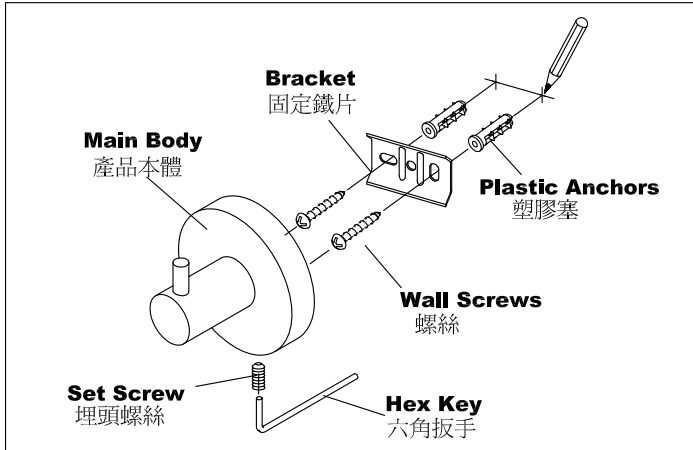


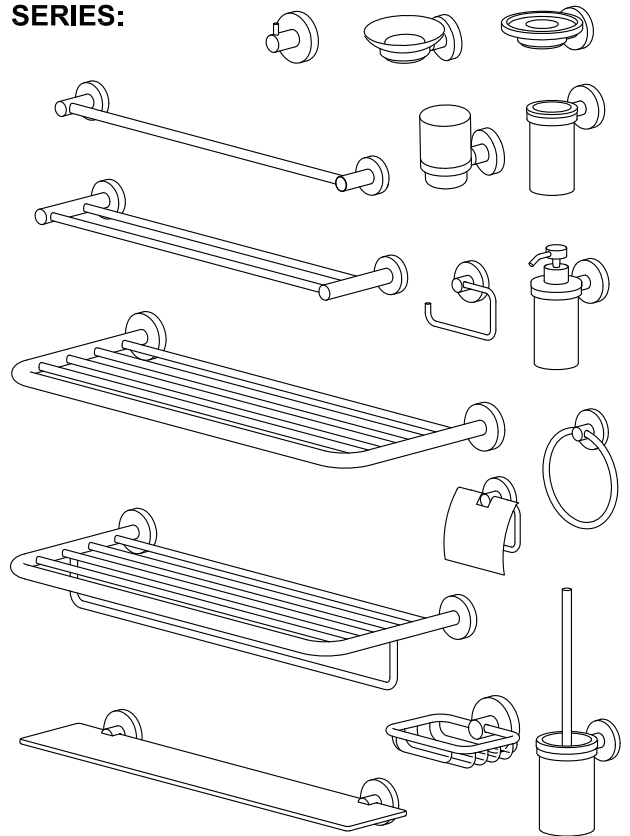
INSTALLATION INSTRUCTIONS

7810安裝說明

1. Use **Bracket** as template to locate appropriate drilling centers with pencil.
使用固定鐵片和鉛筆在預定鑽孔的位置,畫上記號.
2. Use 6mm drilling bit to drill holes in your marked locations, when mounting on drywall, insert **Plastic Anchors**.
安裝水泥牆,使用1/4英寸鑽頭,鑽孔深度4公分,嵌入塑膠塞使之齊平於牆面.
3. Attach **Bracket** to wall with **Wall Screws**.
將固定鐵片以螺絲鎖在牆面上.
4. Locate the **Main Body** on the **Bracket** and use the **Hex Key** to secure with **Set Screw**.
固定鐵片掛上產品本體,用六角扳手由下方鎖緊埋頭螺絲,完成安裝程序.



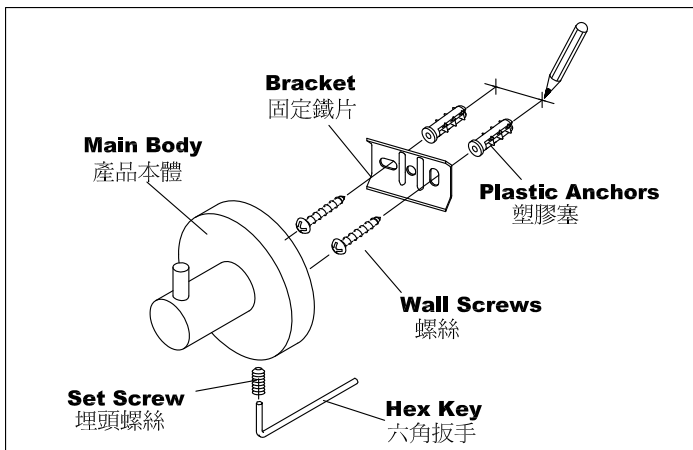
7810 SERIES:



INSTALLATION INSTRUCTIONS

7810安裝說明

1. Use **Bracket** as template to locate appropriate drilling centers with pencil.
使用固定鐵片和鉛筆在預定鑽孔的位置,畫上記號.
2. Use 6mm drilling bit to drill holes in your marked locations, when mounting on drywall, insert **Plastic Anchors**.
安裝水泥牆,使用1/4英寸鑽頭,鑽孔深度4公分,嵌入塑膠塞使之齊平於牆面.
3. Attach **Bracket** to wall with **Wall Screws**.
將固定鐵片以螺絲鎖在牆面上.
4. Locate the **Main Body** on the **Bracket** and use the **Hex Key** to secure with **Set Screw**.
固定鐵片掛上產品本體,用六角扳手由下方鎖緊埋頭螺絲,完成安裝程序.



7810 SERIES:

