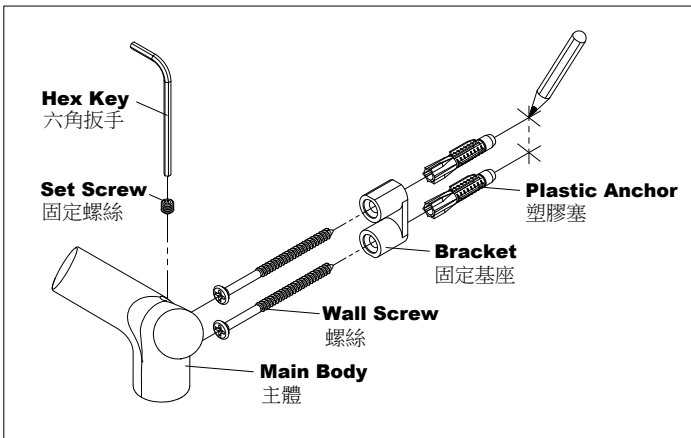


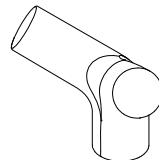
INSTALLATION INSTRUCTIONS

安裝說明

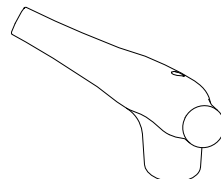
1. Select a proper position for product and use the **Bracket** as a template to mark centers of mounting holes on wall vertically as figure show.
選取預定安裝的位置，以固定基座比對鑽孔的位置，並在牆壁畫上預定鑽孔記號，且確認鑽孔位置在同一垂直線上。
2. Using a 6mm drill-bit, drill the holes in marked positions to a depth of 4cm. Insert the **Plastic Anchors** into the holes, and then fix **Bracket** with **Wall Screws**.
當安裝在水泥牆時，使用6mm鑽頭，鑽孔深度4公分，填入塑膠塞並使之齊平於牆面，將固定基座以螺絲鎖緊於牆上。
3. Tightly fix **Main Body** on **Bracket** with **Set Screw**.
使本體順利套進固定基座後，用隨附六角扳手鎖緊本體固定螺絲，完成安裝程序。



SERIES:



7875-52
Hook (Double)



6927-52
Hook (Double)