

Wall-Mounted Bib Tap 7903-L5-80CP

INTRODUCTION:

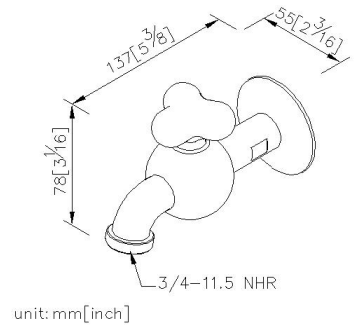
Normally, there are connections and nuts appear on the shape of bib tap. STORY need to conceal the connecting structure to design a unique product for discrimination of market.

The installation and operation have been maintained the primary tradition to fit for the general requirement. The shape not only reserves the figure of the primary Bid Taps, and integrates contemporary and fashionable elements by round model of body and cloud-like ceramic handle, but also was manufactured by modern processing equipments to increase the elaboration and beauty.



DESCRIPTION:

- 1.Manufactured by CNC processing equipment to improve the roundness of ball shape and fineness overall the surface of faucet body.
- 2.Simple and adorable shape is without extra joints.
- 3.Hose Bib can be used in washing machine to make the environment more beautiful.
- 4.Ceramic cartridge with brass shell & Japan (MARUWA) ceramic disc.
- 5.Porcelain handle made by high pressure molding is against UV and color fading.
- 6.With 1/2" to water supply wall outlet.
- 7.Thread of hose connector: 3/4 NHR
- 8.Brass with Chrome plated finish meets ASTM-SC2 standard.
- 9.Casting body material meets ISO CuZn40Pb Standard.



Certificaion:

Fixing Kits:

- 1.Flange*1

AWARD: