

Concealed Mixer Valve W/Diverter 7927-XW-80CP

INTRODUCTION:

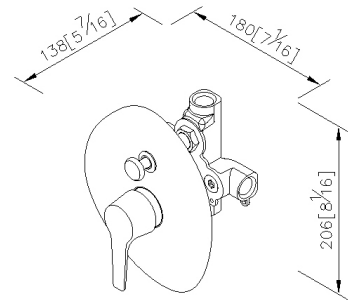
Designer observed kinds of organisms to sketch contours of product for expounding orderless growth and concept of meristem. The mixer has been combined with stylish handles and organic spout just like to personally experience the pulsation of life.

Movable cartridge structure is not only a good solution, but also additional value of products for consumers.



DESCRIPTION:

1. Material of brass handle meets JIS 3771 standard.
2. Material of stainless steel faceplate meets SUS 304 standard.
3. Finish meets the standard of ASTM-SC2.
4. Using the C-ring provided if the water pressure is under 1kgf/cm²(14.2PSI).
5. Water inlet: G1/2.
6. Replaceable check valve both behind hot and cold water 1/2" inlet.
7. The faucet should be used at the water pressure from 1 to 4 kg/cm².
8. The burying depth of embedded body is between 2"(6cm)Min~3"(7.6cm)Max from finished wall.
9. Coordinates with other Nature Series collections.



unit: mm[inch]

Certification:

Fixing Kits:

- 1.

AWARD: