

# INSTALLATION INSTRUCTIONS

## 6922安裝說明

1. Select proper position for product and mark center of mounting hole on wall as below shown. For double **Bracket** fixing, mark centers of mounting holes by using a spirit level and refer to the actual product for distance between hole centers.

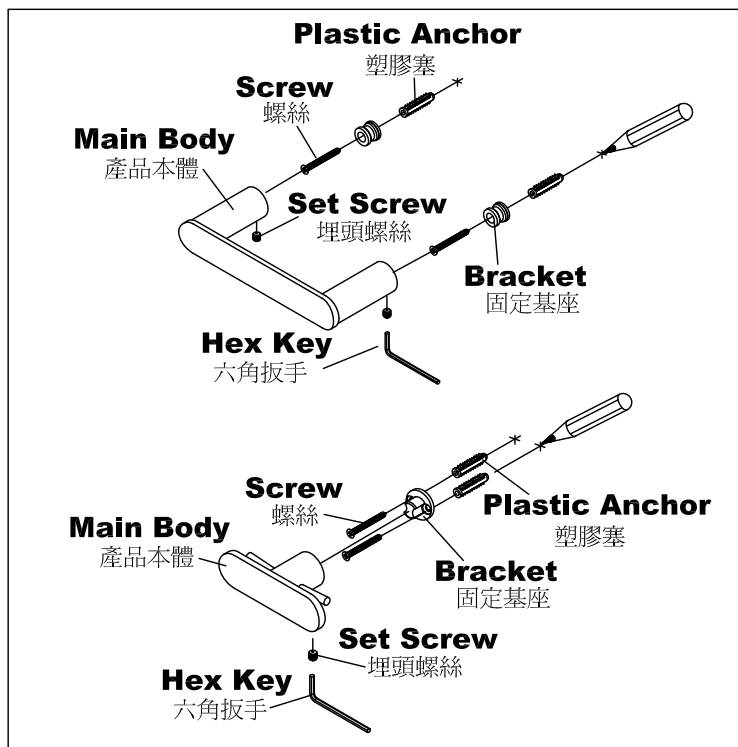
先選預定安裝的位置，在牆壁上畫上預定鑽孔記號，如果要安裝雙背板基座的產品，再確認鑽孔的位置是在同一水平線上，並以產品比對確認鑽孔的距離，如下圖示。

2. Using a 6mm drill-bit, drill the hole(s) in marked position(s) to a depth of 4cm. Insert the **Plastic Anchor(s)** to the hole(s) on the wall, put the **Screw(s)** through the **Bracket(s)**, then screw into the **Plastic Anchor(s)**.

當安裝在水泥牆，使用1/4英寸鑽頭，鑽孔深度4公分，嵌入塑膠塞並使之齊平於牆面，將固定基座以螺絲鎖緊在牆上。

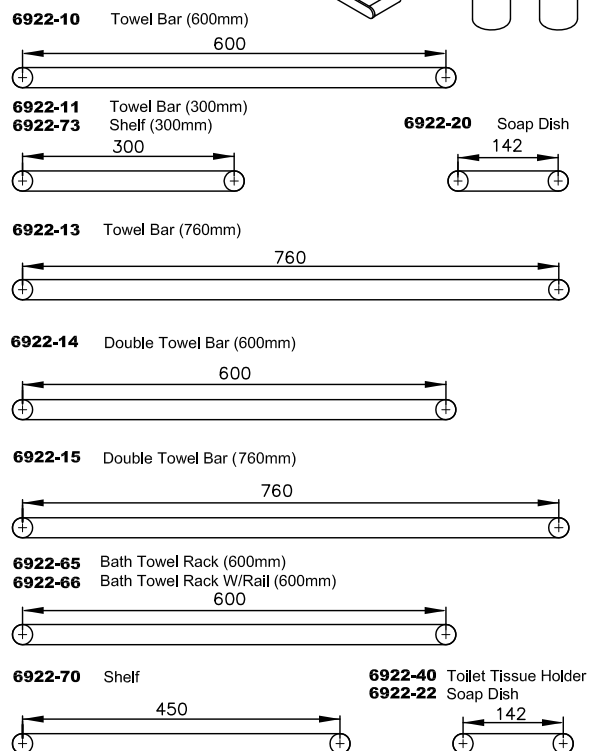
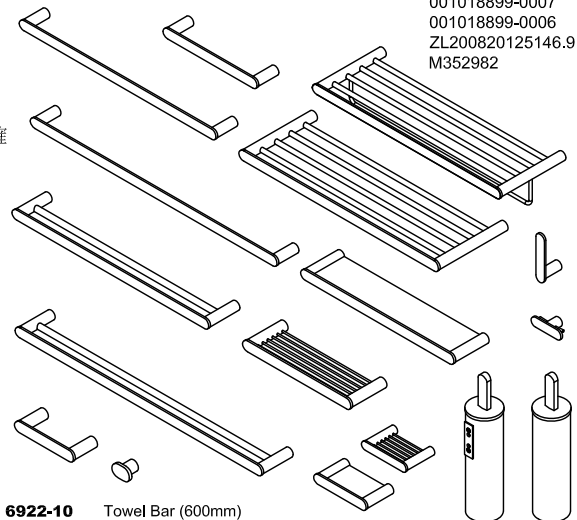
3. Use the **Hex Key** to loosen the **Set Screw** in the **Main Body**. Slide the **Main Body** over the **Bracket** and tighten **Set Screw** ensuring the orientation of the **Main Body** is correct.

用隨附六角扳手先鬆開本體下方的埋頭螺絲，使本體能順利套進固定基座後，再鎖緊下方的埋頭螺絲，完成安裝程序。



## 6922 SERIES:

PATENT NUMBER:  
專利號碼:  
20 2008 010 315.0  
001018899-0007  
001018899-0006  
ZL200820125146.9  
M352982



## THIS FITTING INSTRUCTION for Towel Rack special Bracket Anchor(s) only for

置物架組安裝說明(特殊固定基座)

1. Using a 8mm drill-bit, drill the hole(s) in marked position(s) to a depth of 4.6cm.

當安裝在水泥牆，使用8mm鑽頭，鑽孔深度4.6公分。

2. Inset the **Bracket Anchor(s)** to the hole(s) on the wall. then tighten the **Bracket Anchor(s)** bolt with wrench.

嵌入固定基座並使之齊平於牆面，用扳手鎖緊固定基座。

3. Slide the **Towel Rack** over the **Bracket Anchor(s)** and tighten **Set Screws**.

用隨附六角扳手先鬆開本體下方的埋頭螺絲，使置物架能順利套進固定基座後，再鎖緊下方的埋頭螺絲，並確定完成後固定不會搖動。

