

INSTALLATION INSTRUCTIONS

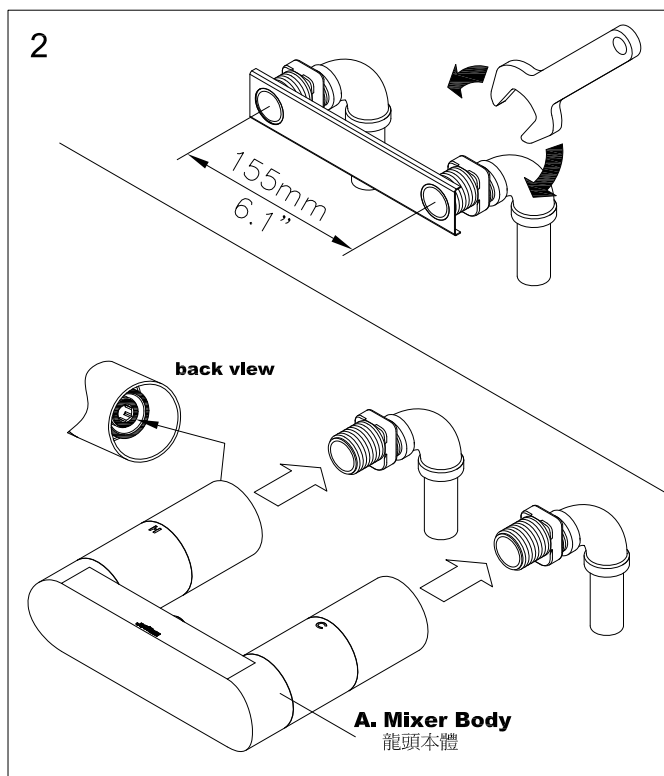
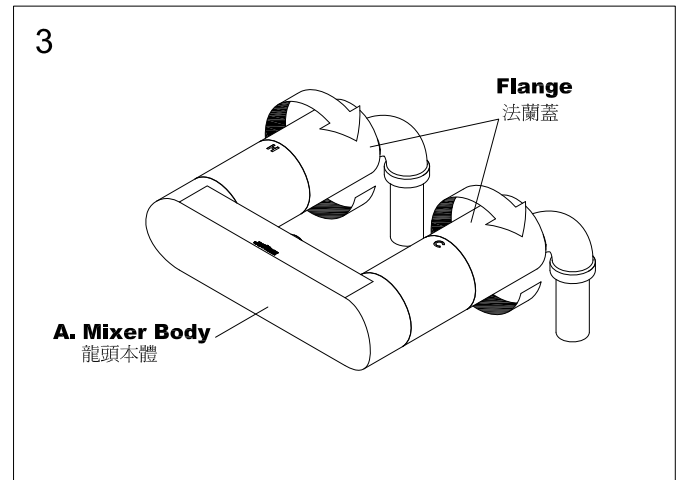
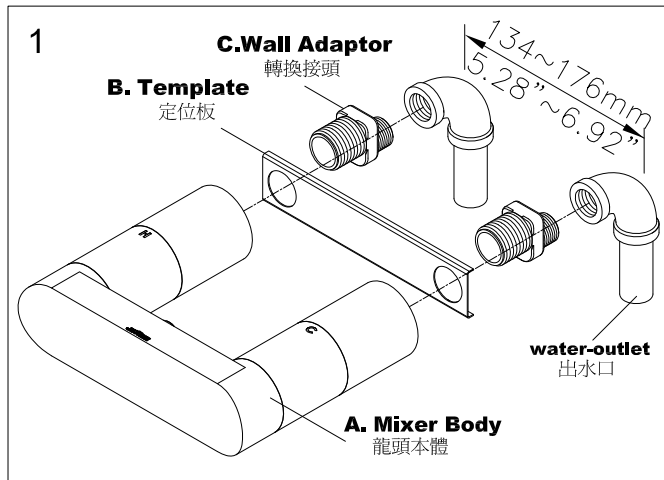
PATENT NUMBER:

專利號碼:

001116552-0001

Wall-Mounted Bath Mixer

浴缸龍頭安裝說明



CAUTION : Risk Of Product Damage.

注意：為增加產品使用壽命，請依說明清潔供水管路。

When finished installation, turn the valve on and run for 1 minute before using.

完成安裝後，需在使用前先把供水開關全開排水持續一分鐘。

1. The available distance between two centers of wall water-outlet can be $134 \sim 176 \text{mm}$ ($5.28 \sim 6.92 \text{ inches}$) as Fig.1 shown.

凡牆壁上冷熱出水孔中心距離在 $134 \sim 176 \text{mm}$ ($5.28 \sim 6.92 \text{ inches}$)者，皆可適合安裝本產品，如 Fig.1 所示。

2. Apply pipe compound or thread sealant tape to the thread of **Wall Adaptors** 1/2" end, and screw it into wall water-outlet, meanwhile, using the **Template** provided to adjust the distance between two **Wall Adaptors** 1 1/8" end to exactly 155mm for **Mixer Body** connection as Fig. 2 shown.

將轉換接頭1/2"牙塗上管牙膠或包覆洩帶，再鎖入牆壁出水口，調整轉換接頭，並且使用定位板調整使1 1/8"端的中心距確定為 155mm 無誤，以便安裝龍頭本體如Fig. 2 所示。

3. Tighten **Flanges** securely by hand to connect **Mixer Body** to **Wall Adaptors**.

將龍頭本體後端的法蘭蓋各別對準轉換接頭的1 1/8"端，然後用手順時針轉動法蘭蓋，直至法蘭蓋緊貼到牆為止 Fig. 3 所示。

FIXING CONTENTS

組配件內容

